



**OJC**  
Offshore Junction Cabinet

**Up to 42 kV  
630 A**

PART OF OUR  
**WINDLINK®**  
PRODUCT RANGE

## Application

For offshore wind power parks, the offshore junction cabinet will be used as a connecting point for internal tower cable to external subsea arrays cables.

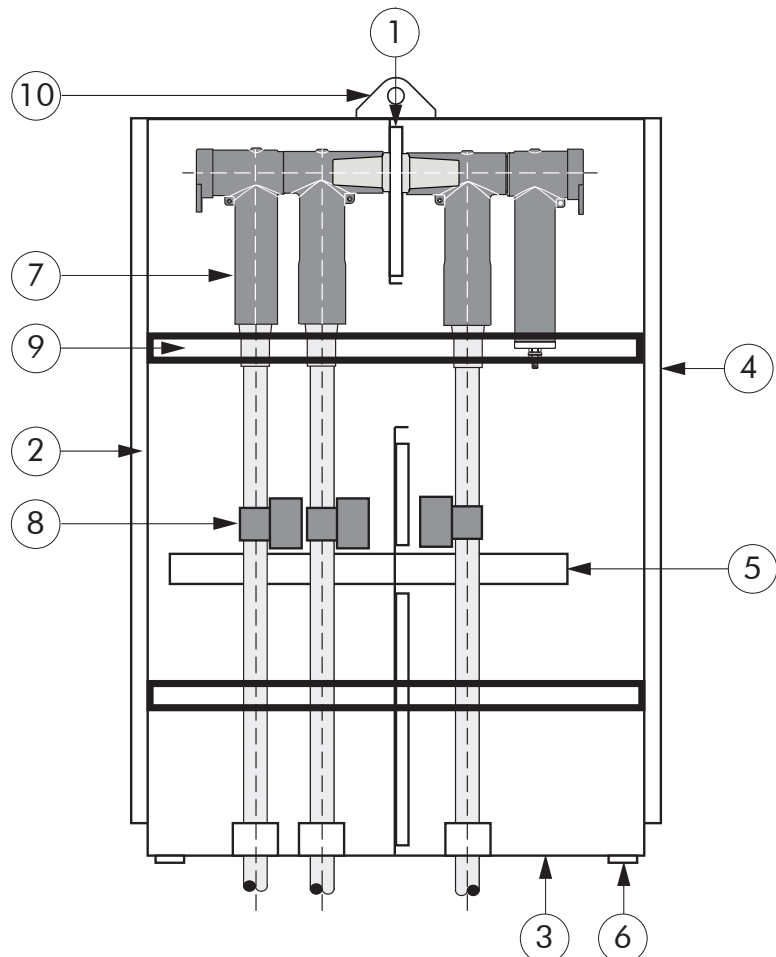
## Technical characteristics

- Sheet materials: marine grade 316L stainless steel and A2/A4 grade fittings.
- Robust design
- Short circuit tested acc. to DIN VDE 0278-626-1 (HD 629.1 S2:2006 + A1:2008): 2009-07: Thermal short-circuit 25kA/1s, Dynamic short-circuit 62.5 kA.

## Design

Offshore junction cabinet comprising:

1. Aluminium bushing support plate for feed through bushings.
2. Access panel for 2 x array cable connection.
3. Split gland plate incorporating 9 feed through sealed glands.
4. Access panel for turbine connection.
5. Earth bar on insulated standoffs.
6. Cabinet secured by 4 x M16 internal base fixings. Bolts not supplied.
7. Different connector and surge arrester combinations are possible.
8. Cable cleats arrangement for 9 single core cables.
9. Channels for mounting external accessories.
10. Lifting eyes



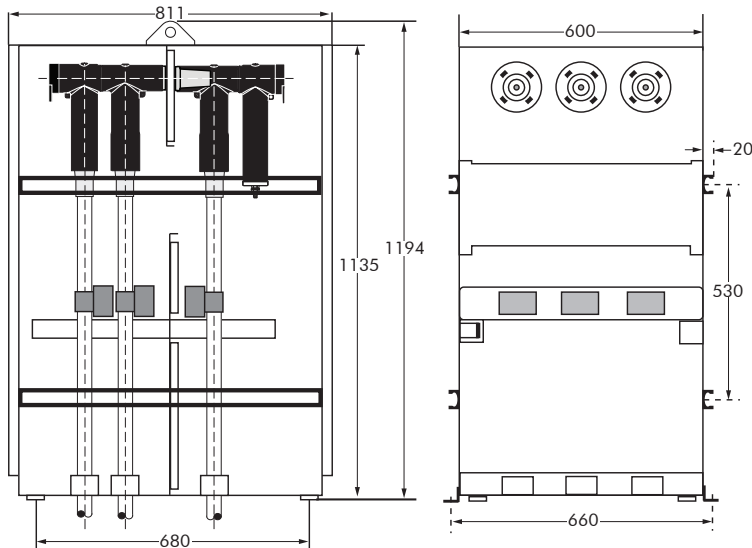
| Offshore Junction cabinet type | Voltage $U_m$ (kV) | Outer dimensions of cabinet (w x d x h)(mm) | Fixing points | Conductor sizes (mm <sup>2</sup> )* |     |
|--------------------------------|--------------------|---|---------------|-------------------------------------|-----|
|                                |                    |   |               | min                                 | max |
| OJC1                           | 42                 | 700 x 811 x 1194                            | 4 x M16       | 50                                  | 630 |

\* to be verified according to cable cleat specification

## Benefits

- The cabinet design is specifically suitable to be installed in the transition piece of the tower.
- High accessibility for ease of installation.
- Ideal test and demarcation point.
- Possible use of pre-terminated and tested jumpers to tower equipment.
- Time saving.
- Reducing cost of installation.

## Dimensions



in mm.

## Separable connectors



Extension to larger cable sizes and additional array cables possible. Please contact our representative for more details.



Junction cabinet can be equipped with different connector combinations. See possible arrangements and catalogue pages for more details.



Spare room at turbine connection to add surge arresters to protect tower equipment from high voltage surges. See catalogue pages for more details.



Preterminated and tested jumpers to connect junction cabinet with tower equipment.

## Chamber options



Earthing kit to facilitate earthing of the cabinet while array out of service. Please contact our representative for more details.



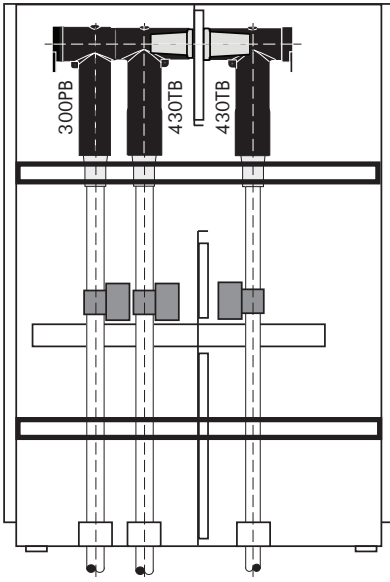
Mechanical key interlock to add additional security level against accidental opening. Please contact our representative for more details.



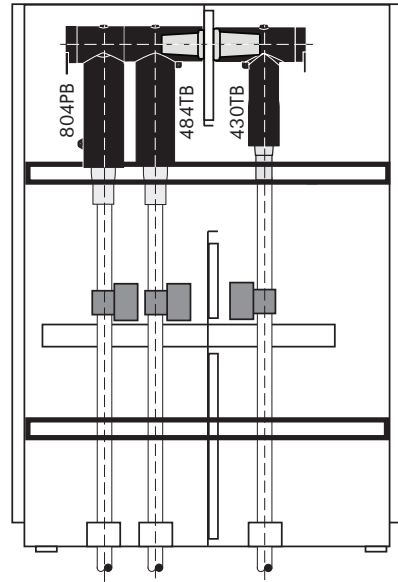
Current transformer package. Please contact our representative for more details.

# POSSIBLE ARRANGEMENTS

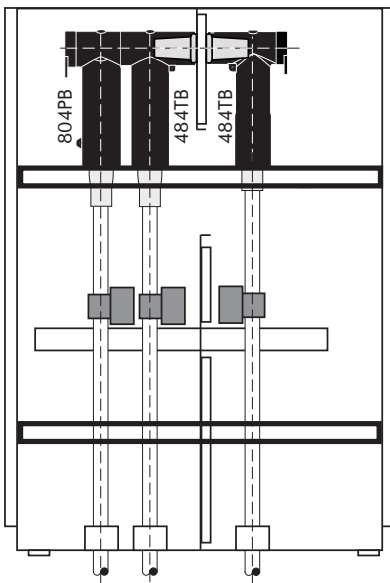
**| 430TB+300PB+430TB**



**| 484TB+804PB+430TB**



**| 484TB+804PB+484TB**



**| Combined with surge arrester: 300SA or 800SA**

