

CAUTION : Read instructions thoroughly and completely prior to beginning installation.

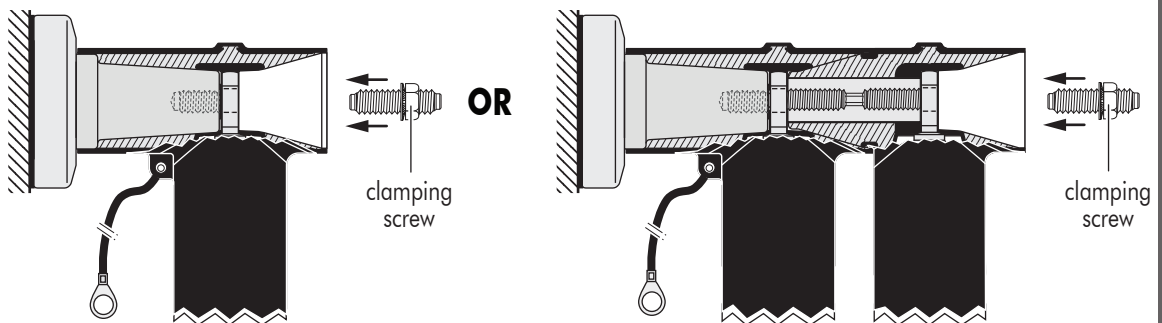
Installation instructions for separable coupling connector

<p>EUROMOLD®</p> 	<p>(K),(M),(P)800PB/G</p> <p>Up to 20.8/36 (42) kV</p>
---	---

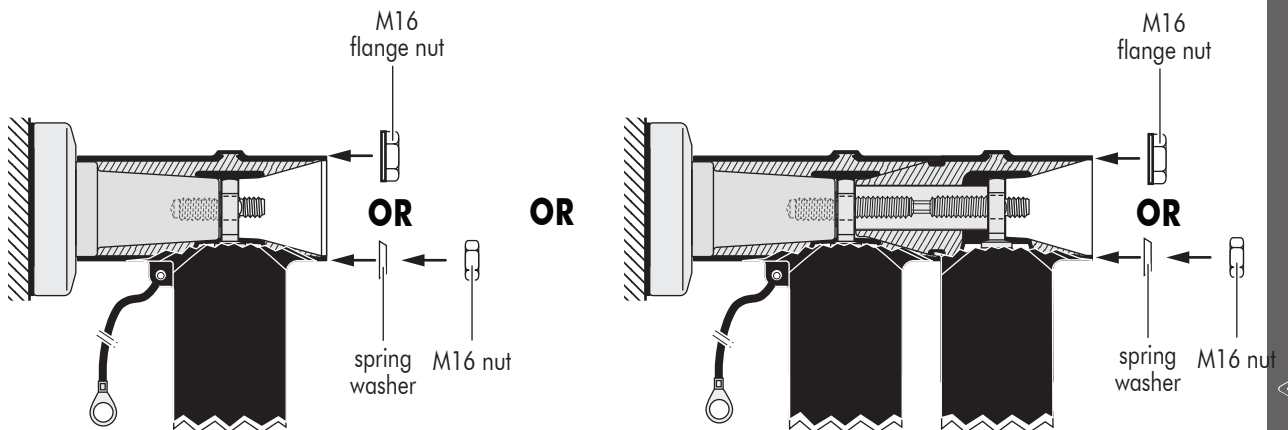
**WARNING :
CHANGED INSTALLATION**

Only to be used on copper wire screened cable with extruded semi-conductive screen and conductors of copper or aluminium.

For installation on a 480TB, 484TB or 489TB tee connector or a 800PB, 804PB or 809PB coupling connector tightened with a clamping screw **(type 1)**



OR tightened with a stud and flange nut or tightened with a stud, washer and nut **(type 2)**



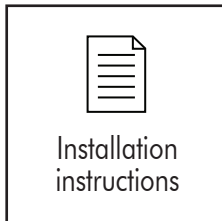
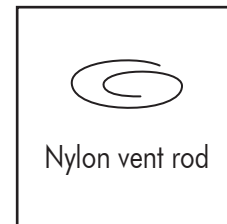
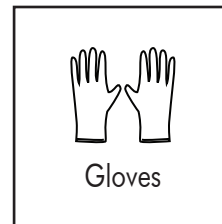
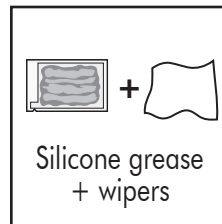
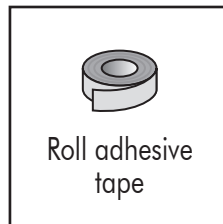
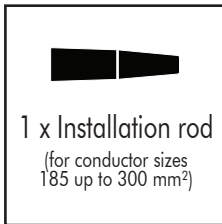
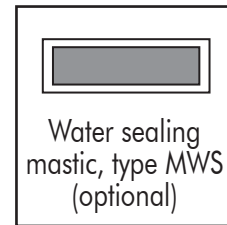
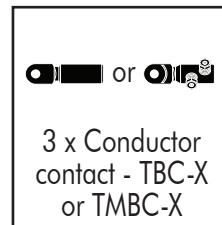
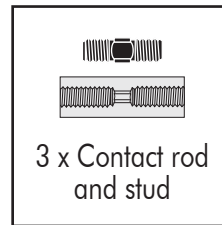
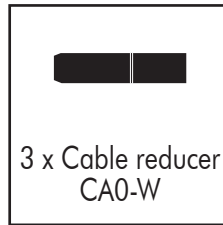
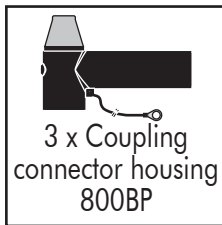
FOR INFORMATION ONLY Please always use the instructions supplied in the kit



Check if the diameter over cable core insulation is in accordance with the cable reducer range as indicated in table below:

Cable reducer size (see label on cable reducer)	Dia. over core insulation (mm)	
	min	max
CA0-11	12.0	19.0
CA0-15	16.0	26.5
CA0-18	19.0	32.6
CA0-21	22.0	34.6
CA0-27	28.5	37.5

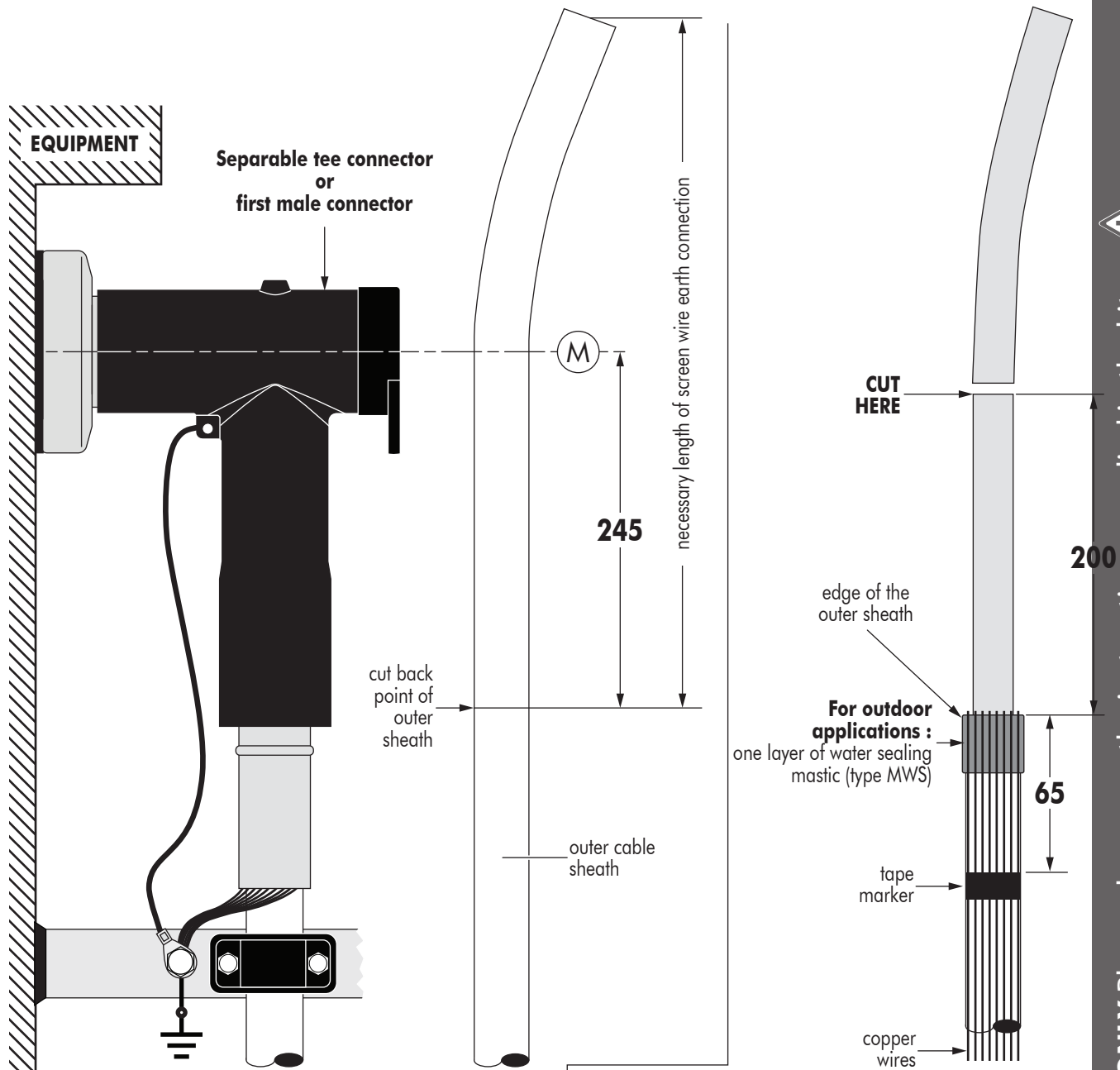
Required components for the connector installation :



FOR INFORMATION ONLY Please always use the instructions supplied in the kit



NB : Only one phase is shown in these instructions. Make off all three phases the same way. Use a cable conversion kit for 3-core cables.

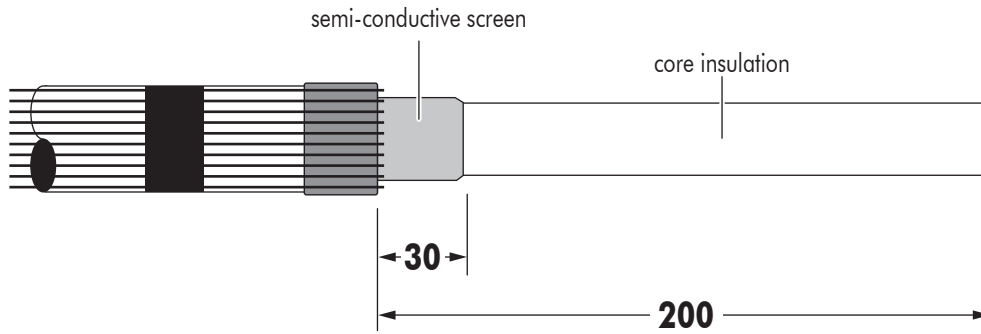


- 1 Train the cable into the approximate finished position next to the equipment bushing. Be sure to allow enough extra length of screen wires to connect to earth.
- 2 Mark centre line « M » of the bushing.
- 3 Remove the outer cable sheath to a point **245** mm from the centre line « M » of the bushing.

- 4 For indoor applications, bend the screen wires back over the outer sheath and proceed to step no. 5.
For outdoor applications:
 - Wrap one layer of water sealing mastic (type MWS) around the outer sheath, flush with the end (**25** mm minimum width). Completely encircle the cable.
 - Bend the screen wires back over the mastic and along the outer sheath, pressing them into the mastic.
 - **Important:** screen wires should not touch each other when pressed into the mastic to prevent water ingress.
- 5 Apply a tape marker around the outer sheath **65** mm from the edge.
- 6 Cut the cable to a point **200** mm from the outer sheath.

FOR INFORMATION ONLY Please always use the instructions supplied in the kit

CABLE PREPARATION



- 1 Check distance of **200** mm.
- 2 Remove the semi-conductive screen to a point **30** mm from the outer sheath.

For extruded easy strip semi-conductive screen:

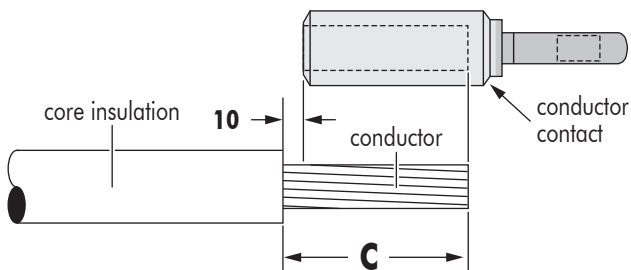
Cut squarely taking care not to cut the core insulation.

For bonded extruded semi-conductive screen:

Use an appropriate pencilling tool. Make a clean transition between core insulation and semi-conductive screen.

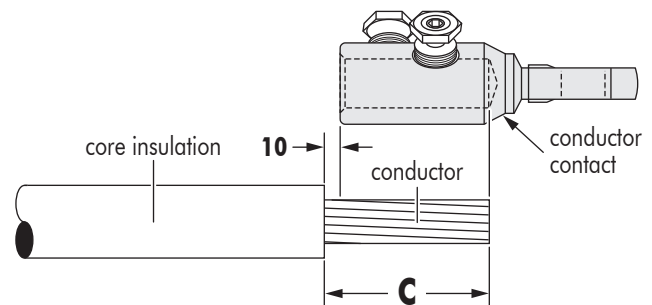
REMOVAL OF THE CORE INSULATION

A. Compression type contacts (Type TBC-X)

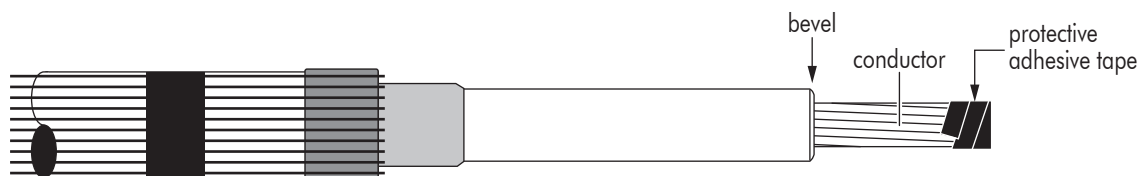


- 1 A. Remove the core insulation from the conductor for a distance « **C** » mm (**C** = depth of contact bore + **10** mm).

B. Mechanical type contacts (Type TMBC-X)



- 1 B. Remove the core insulation from the conductor for a distance « **C** » mm (**C** = depth of contact bore + **10** mm).



- 2 Slightly bevel the edge of the core insulation (max 2 mm).
- 3 **Thoroughly clean core insulation.** Always wipe towards the screen wires.
- 4 As a protection, wrap a few turns of adhesive tape around the conductor end.

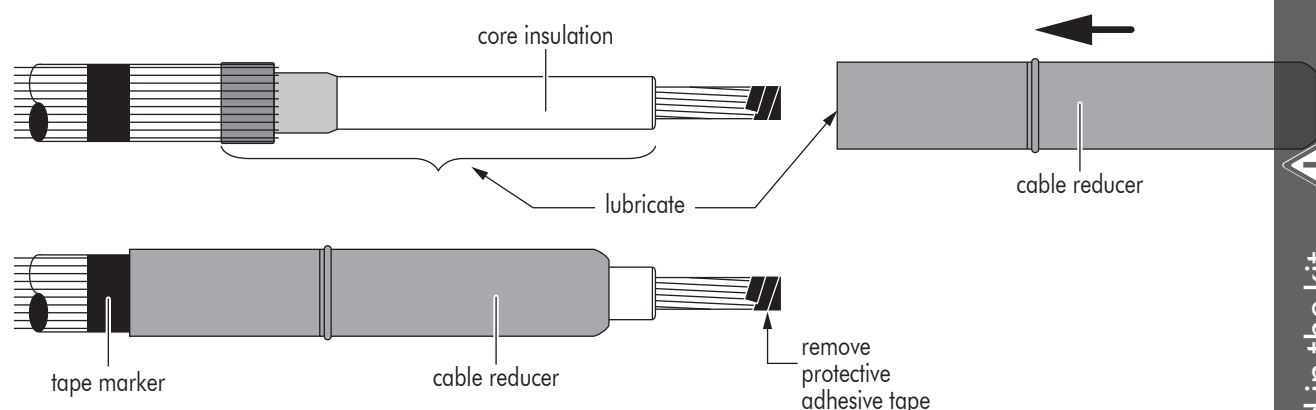


FOR INFORMATION ONLY Please always use the instructions supplied in the kit



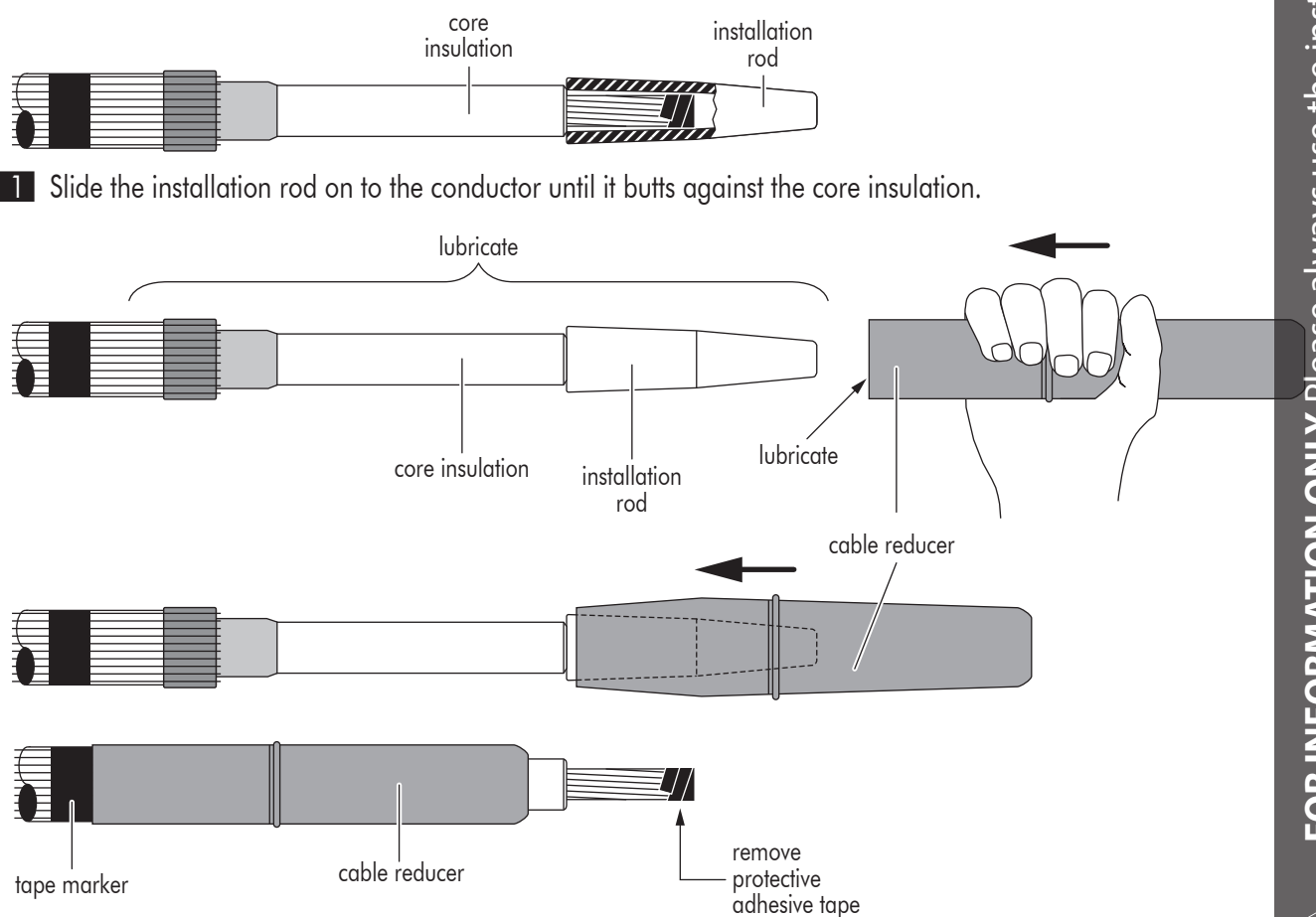
INSTALLATION OF THE CABLE REDUCER

For conductor sizes 16 up to 150 mm²



- 1 Lubricate* the indicated area: core insulation, semi-conductive screen, water sealing mastic and inner surface of the reducer.
- 2 Slide the reducer down the cable until flush with the tape marker.
- 3 Remove the protective adhesive tape from the conductor.

For conductor sizes 185 mm² up to 300 mm²



- 1 Slide the installation rod on to the conductor until it butts against the core insulation.
- 2 Thoroughly clean installation rod and core insulation. Always wipe towards the screen wires.
- 3 Lubricate* the indicated area: installation rod, core insulation, semi-conductive screen, water sealing mastic and inner surface of the reducer.
- 4 Slide the reducer on to the installation rod.
- 5 Slide the reducer down the cable until flush with the tape marker. Take care to slide the reducer without hesitation and in one smooth move.
- 6 Remove installation rod and protective adhesive tape from the conductor.

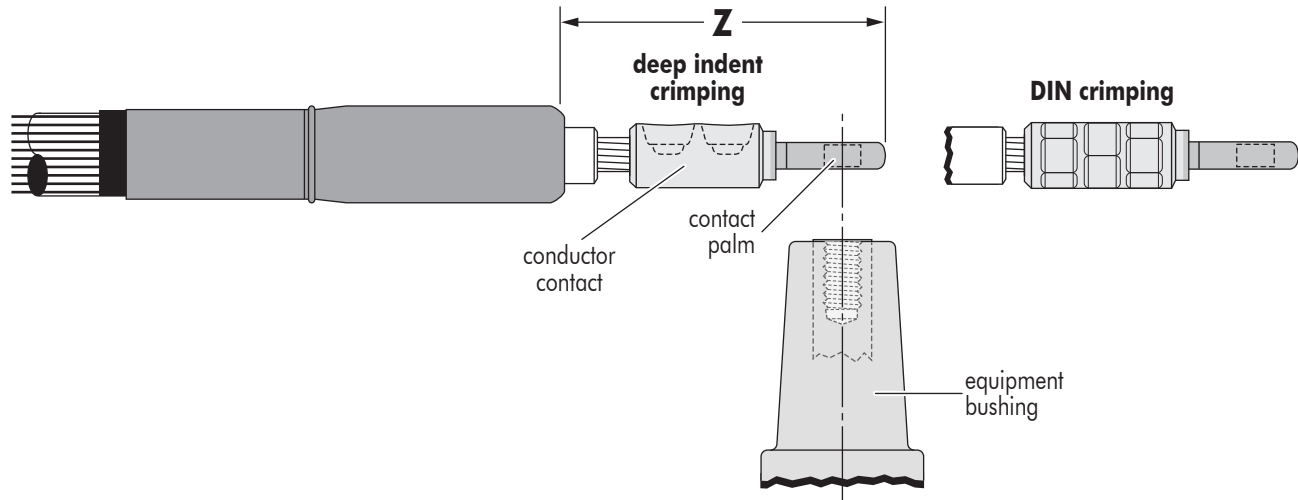
FOR INFORMATION ONLY Please always use the instructions supplied in the kit

TIGHTENING OF THE CONTACT

A

Compression type contacts (Type TBC-X)

Please refer to the crimp chart supplied with the contact.



- 1 For aluminium conductors : before installing the conductor contact, wire brush the conductor.
- 2 Fit the contact on to the conductor.
- 3 Position the crimp contact taking care that the contact hole aligns with the bushing hole.
- 4 Prior to crimping distance « **Z** » must be between **145** and **160** mm.
- 5 Crimp the contact. Please refer to the crimp chart for crimp sequence.
- 6 After crimping distance « **Z** » must be between **145** and **165** mm.
If necessary, adjust the position of the cable reducer until distance « **Z** » is within the tolerance range.
- 7 **Remove any burrs left after crimping and wipe-off excess inhibitor.**



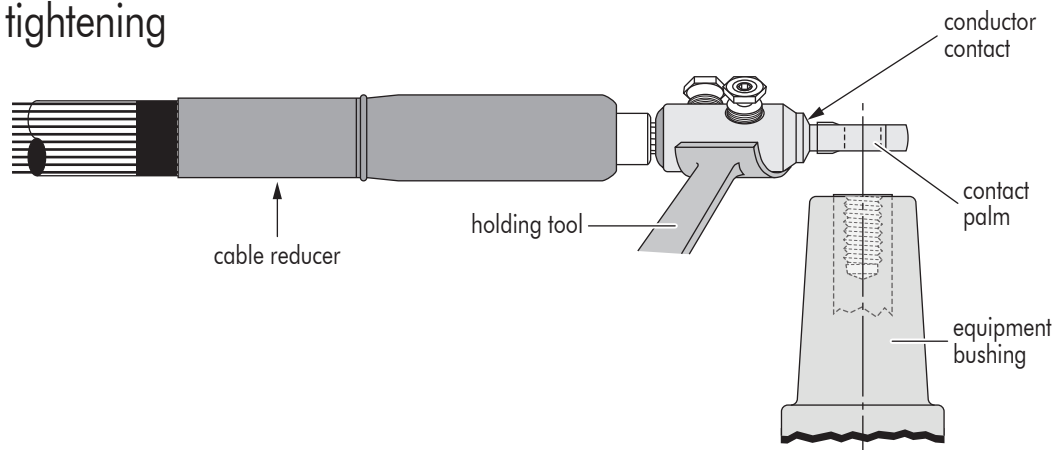
FOR INFORMATION ONLY Please always use the instructions supplied in the kit



B

Mechanical type contacts (Type TMBC-X)

Before tightening



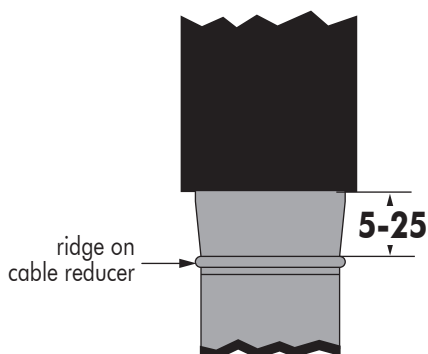
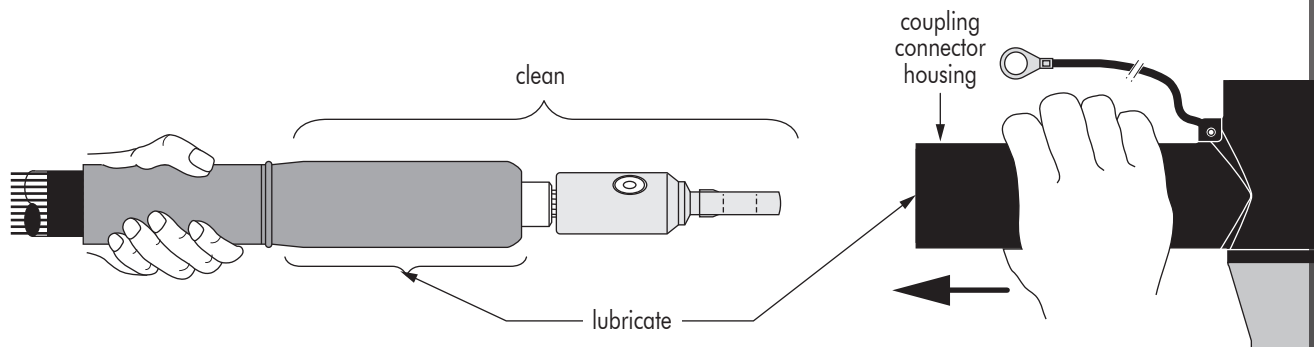
- 1 For aluminium conductors : before installing the conductor contact, wire brush the conductor.
- 2 Insert, if necessary, the centre ring into the contact barrel according to the table in the contact installation instruction.
- 3 Position the contact so that the contact hole aligns with the bushing hole.
- 4 Tighten the contact. Please refer to the installation instruction included with the contact.
It is recommended to use a holding tool for ease of installation.

After tightening



- 5 After tightening, distance « Z » must be between **145** and **165** mm.
If necessary, adjust the position of the cable reducer until distance « Z » is within the tolerance range.

COUPLING CONNECTOR INSTALLATION ON CABLE

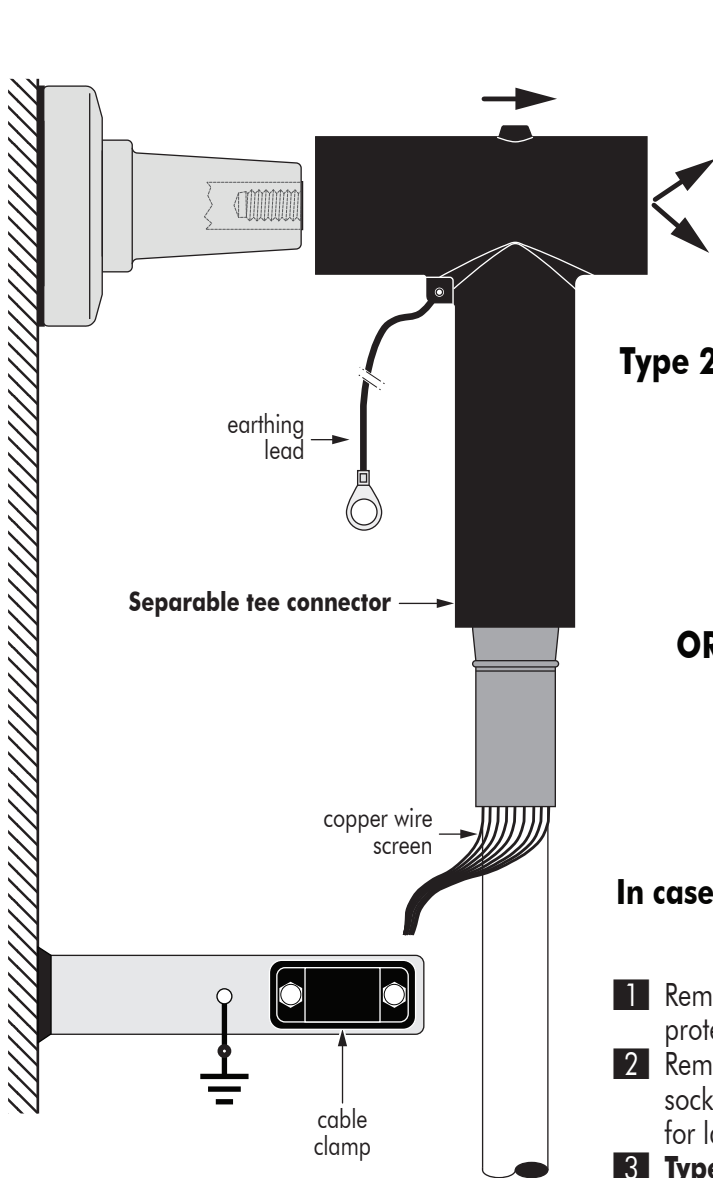


- 1 **Clean cable reducer, core insulation and contact.**
- 2 Lubricate* the inside of the connector housing and outer surface of the cable reducer.
- 3 Check if the **outer cone interface is pointed towards the bushing**. Whilst preventing the cable reducer from further movement down the cable gently slide the housing on the cable. Its final position is reached when the centre of the contact spade is along the axis of the interfaces of the connector.
- 4 **The cable reducer must stay in place during installation.**
- 5 Make sure the contact spade locks into the connector's housing.
- 6 Check that the ridge on the cable adapter is sitting at **5-25** mm below the connector housing.

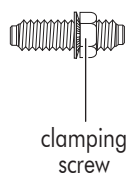
* USE ONLY THE SILICONE LUBRICANT SUPPLIED

FOR INFORMATION ONLY Please always use the instructions supplied in the kit

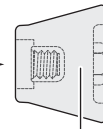
COUPLING CONNECTOR INSTALLATION ON TEE CONNECTOR



Type 1



clamping screw



basic insulating plug

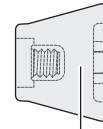


protective cap

Type 2



M16 flange nut



basic insulating plug



protective cap

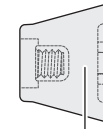
OR



spring washer



M16 nut



basic insulating plug



protective cap

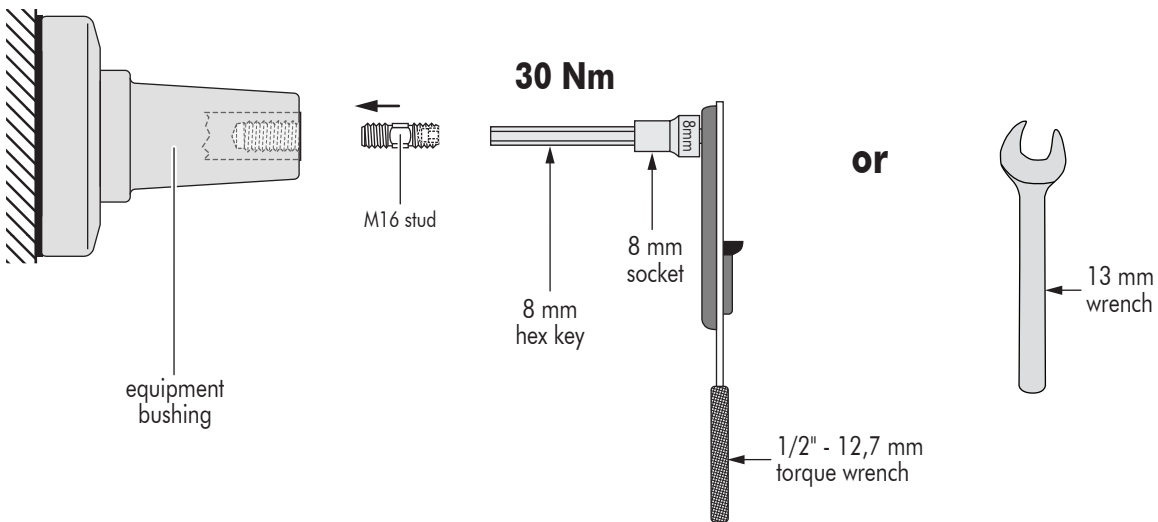
In case the tee connector has been already installed (otherwise proceed to step no. 6).

- 1 Remove the protective cap from the tee connector. Put the protective cap aside in a clean and safe place for later re-use.
- 2 Remove the basic insulating plug. Use a wrench with 22 mm socket. Put the insulating plug aside in a clean and safe place for later re-use.
- 3 **Type 1:** remove the clamping screw. Use a wrench with a 22 mm socket and an extension. Put the clamping screw aside in a clean and safe place for later re-use.
Type 2: remove the flange nut **or** the M16 nut and spring washer. Use a wrench with a 22 mm socket and an extension. Put the flange nut **or** washer and nut aside in a clean and safe place for later re-use. Check that M16 stud is still mounted correctly. Re-tighten to 30 Nm if required. **Proceed with step 10 on page 10.**
- 4 Disconnect the earthing lead, copper wire screen and cable clamps.
- 5 Disconnect the tee connector from the bushing. The bushing should be free.

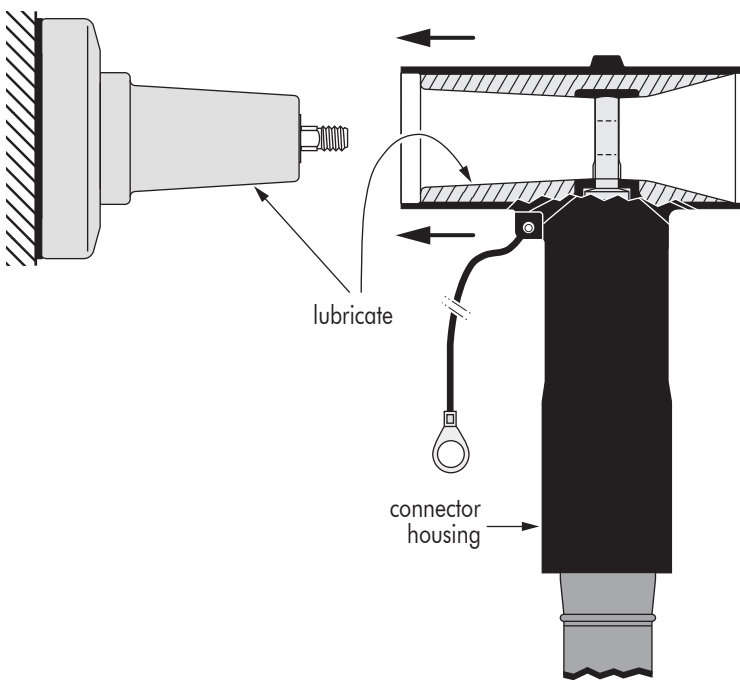
FOR INFORMATION ONLY Please always use the instructions supplied in the kit

Revision 4

IS97180-ENG - 800PB/G-CV4/5-CAP



- 6 Install M16 threaded stud into the bushing interface.
- 7 Using a 13 mm wrench or a hex key of 8 mm, tighten the stud exerting **30 Nm** (3 kgm or 22,1 foot-pounds).

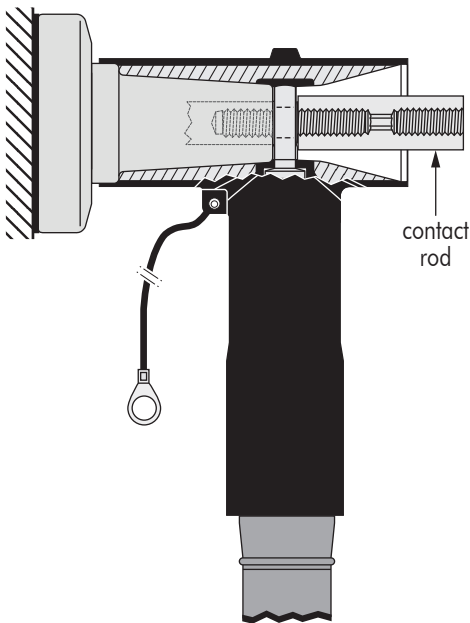
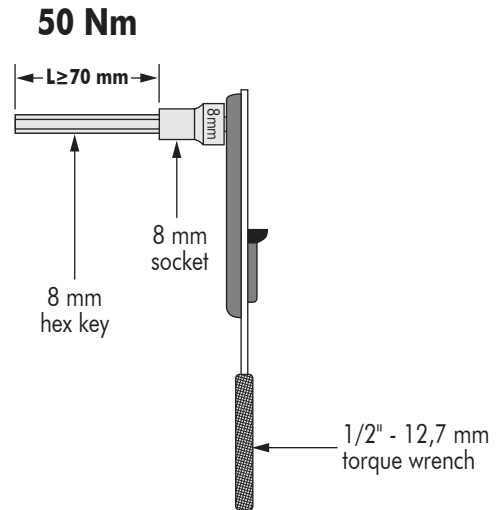
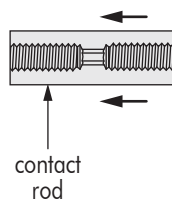
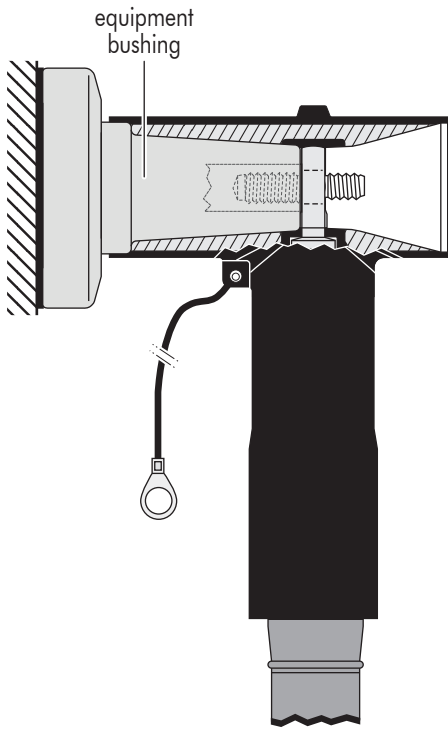


- 8 Clean and lightly lubricate* both connector and bushing interface.
- 9 Push the tee connector on to the bushing.



FOR INFORMATION ONLY Please always use the instructions supplied in the kit





10 Insert the contact rod on to the threaded stud.

11 Use a torque wrench with a 8 mm socket and an hex key of 8 mm and tighten exerting **50 Nm** (5 kgm or 36,9 foot-pounds) of torque.

In order to achieve the correct applied torque ensure that there is no lubricant on the threaded parts.

For type 1 systems, using a clamping screw  : proceed with step no 12 on page 11.

For type 2 systems, using a flange nut OR spring washer and nut  OR   : proceed with step no 16 on page 12.

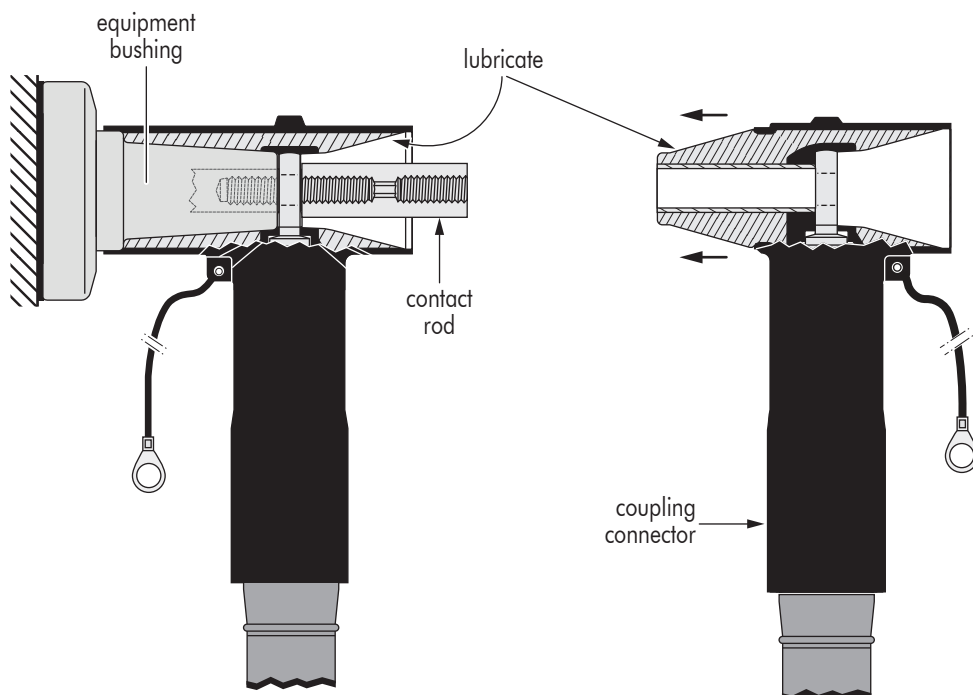
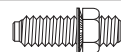


FOR INFORMATION ONLY Please always use the instructions supplied in the kit

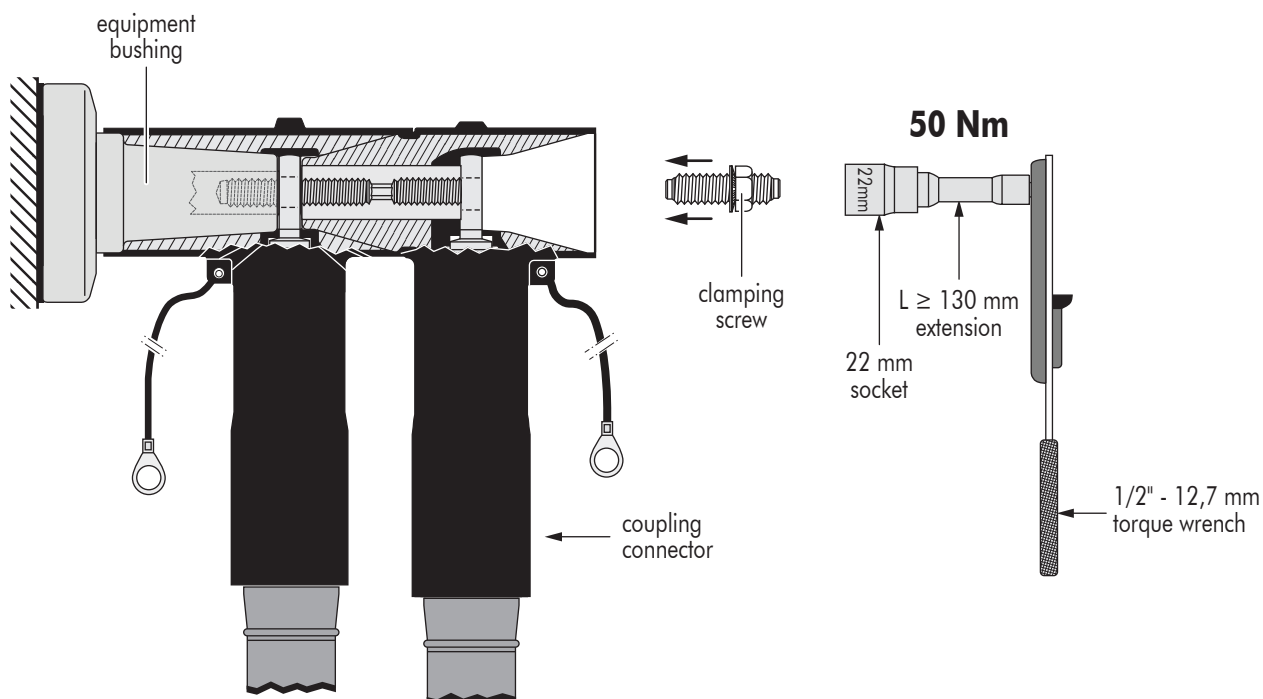
Revision 4



Type 1: clamping screw



- 12 Clean and lubricate* both female tee connector interface and male interface of the coupling connector.
- 13 Push the coupling connector on to the contact rod of the tee connector. Take care not to damage the contact rod during installation of the coupling connector.



- 14 Insert the clamping screw into the threaded hole of the contact rod **by hand**.
- 15 Use torque wrench with extension and a 22 mm socket and tighten exerting **50 Nm** (5 kgm or 36,9 foot-pounds) of torque.
In order to achieve the correct applied torque ensure that there is no lubricant on the threaded parts.

Proceed with installing the basic insulation plug on page 13.

* USE ONLY THE SILICONE LUBRICANT SUPPLIED

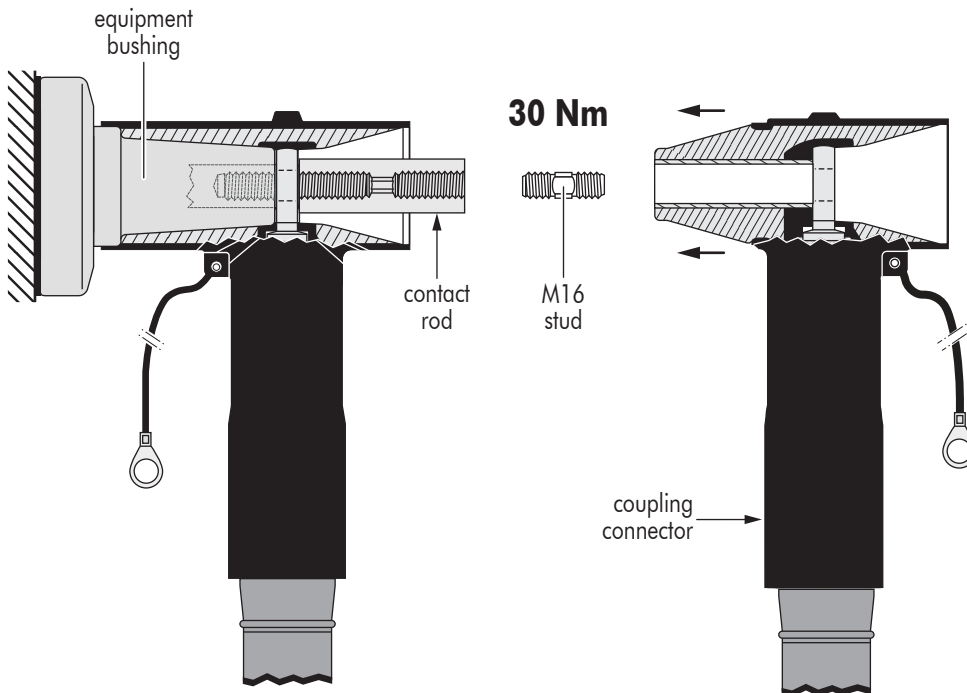


FOR INFORMATION ONLY Please always use the instructions supplied in the kit

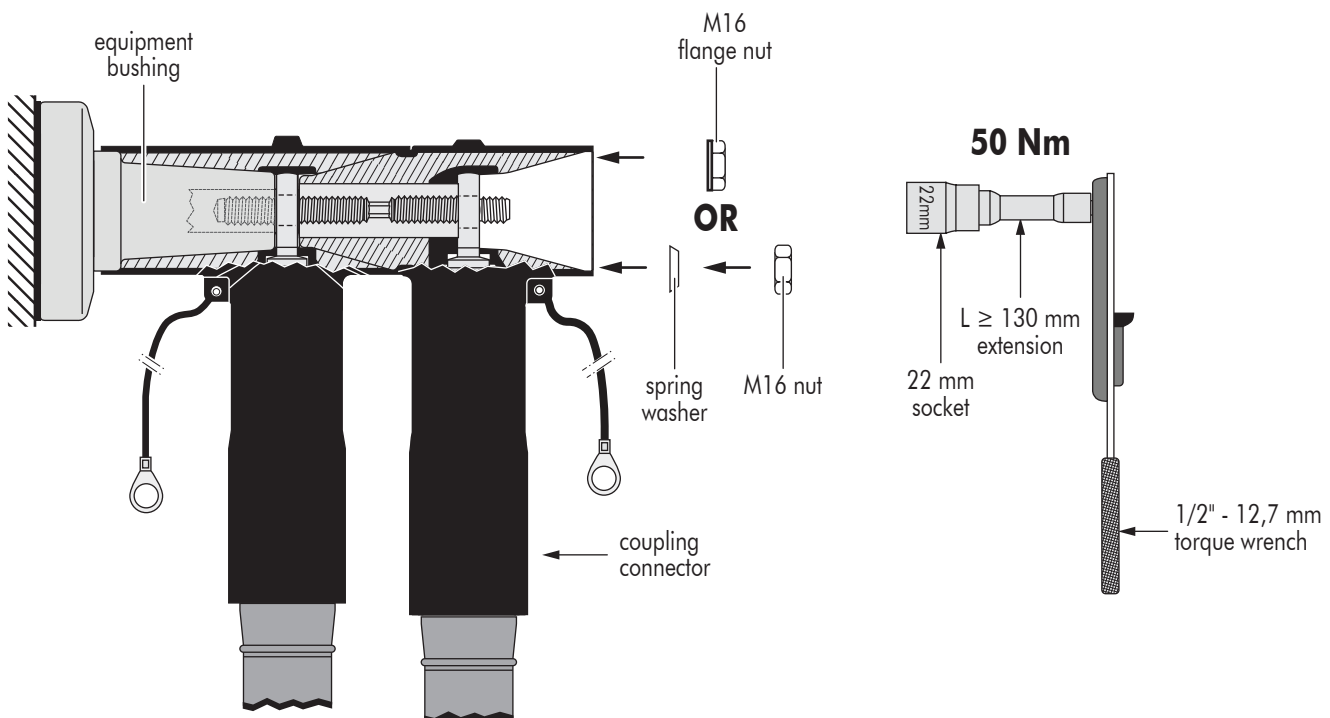


Type 2: flange nut

OR spring washer+nut



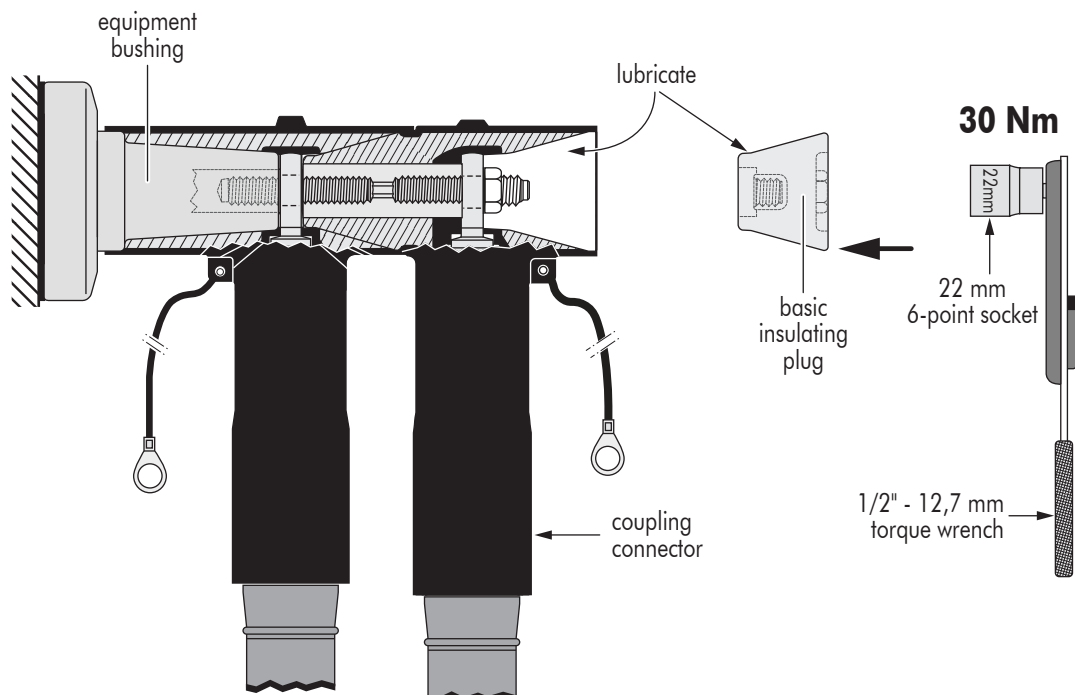
- 16 Install the M16 threaded stud into the contact rod.
- 17 Using a 13 mm wrench or a hex key of 8 mm, tighten the stud exerting **30 Nm** (3 kgm or 22,1 foot-pounds).
In order to achieve the correct applied torque ensure that there is no lubricant on the threaded parts.
- 18 Clean and lubricate* both female tee connector interface and male interface of the coupling connector.
- 19 Push the coupling connector on to the contact rod of the tee connector. Take care not to damage the contact rod during installation of the coupling connector.



- 20 Install the flange nut **or** the spring washer and M16 nut on to the threaded stud.
- 21 Use torque wrench with extension and a 22 mm socket and tighten exerting **50 Nm** (5 kgm or 36,9 foot-pounds) of torque.
In order to achieve the correct applied torque ensure that there is no lubricant on the threaded parts.

* USE ONLY THE SILICONE LUBRICANT SUPPLIED

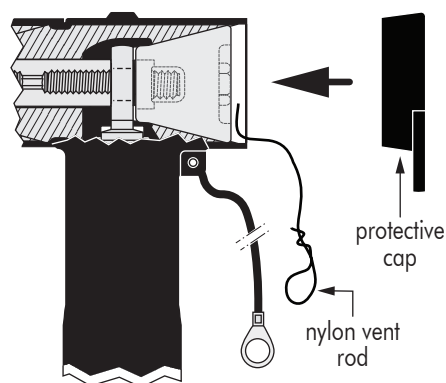
INSTALLATION OF INSULATING PLUG



- 1 Clean and lubricate* the insulating plug and the female interface of the coupling connector.
- 2 Insert the plug into the connector and tighten assembly: use a torque wrench with a 6-point socket of 22 mm and tighten exerting **30 Nm** (3 kgm or 22,1 foot-pounds) of torque.

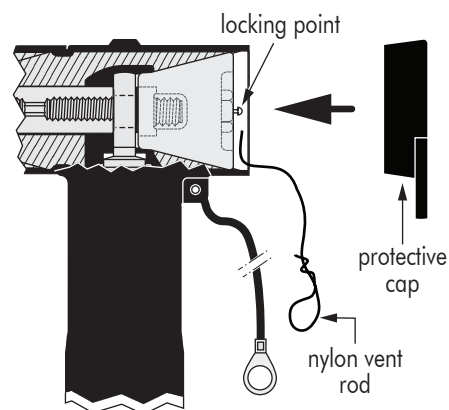
In order to achieve the correct applied torque ensure that there is no lubricant on the threaded parts.

INSTALLATION OF THE CAP



Installation on insulating plug BIPR without voltage detection point:

- Clean the inside of the cap and the outside surface of the connector and insulating plug.
- Place the nylon vent rod along the insulating plug (see fig.) to exhaust the air during assembly of the cap.
- Push the cap **firmly** over the connector and onto the insulating plug.
- Press the cap on all sides to make sure it is well positioned over the connector. Position the cap with the pulling tab pointing downwards.
- Remove the nylon vent rod.

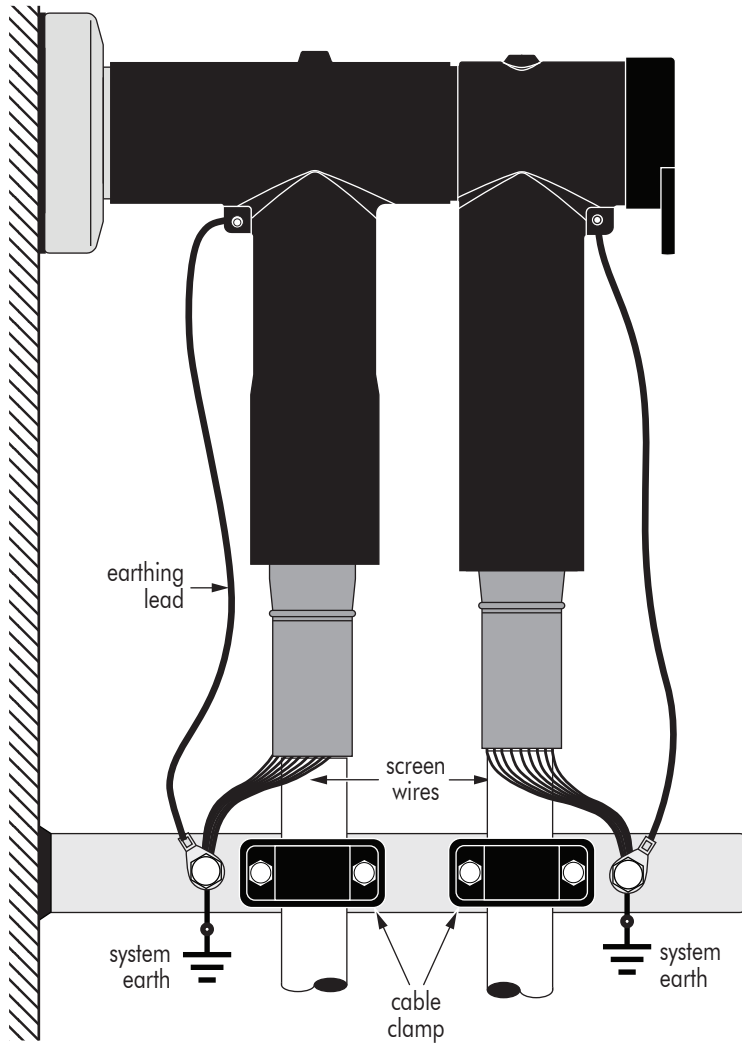


Installation on insulating plug BIPA with voltage detection point:

- Clean the inside of the cap and the outside surface of the connector and insulating plug.
- Place the nylon vent rod along the insulating plug (see fig.) to exhaust the air during assembly of the cap.
- Push the cap **firmly** over the connector and onto the insulating plug.
- **Press the centre of the cap onto the locking point until it snaps into place.** Press the cap on all sides to make sure it is well positioned over the connector. Position the cap with the pulling tab pointing downwards.
- Remove the nylon vent rod.

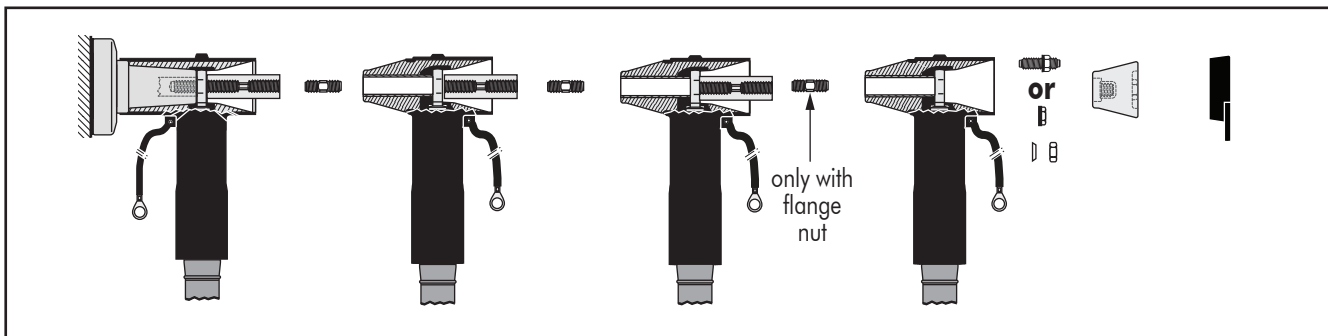
FOR INFORMATION ONLY Please always use the instructions supplied in the kit

CONNECTOR EARTHING AND CABLE CLAMPING



- 1 Bend back the screen wires along the outer sheath to form a pig tail.
- 2 Connect the earthing lead and screen wires to the system earth.

In case more than one coupling connector is to be installed, repeat all required steps.



NOTE :

A connector/bushing mated combination should not be allowed to carry the full weight of the cable. Therefore clamp the cable as close as possible to the connector.

IMPORTANT NOTES :

- **Never disconnect connectors from energised equipment nor energise disconnected connectors without previously installing on their appropriate corresponding mating part.**
- **Do not allow hydrocarbon oils or solvents to contaminate the E.P.D.M. rubber.**
In the event of contamination, wipe the surface clean with a dry cloth.

