

# 670AR-2

## INTERFACE D EQUIPMENT BUSHING

### APPLICATION

For use in equipment insulated with oil fluid, typically for transformers, switchgear, capacitors...

### TECHNICAL CHARACTERISTICS

Each bushing is tested for AC withstand and partial discharge prior to leaving the factory.



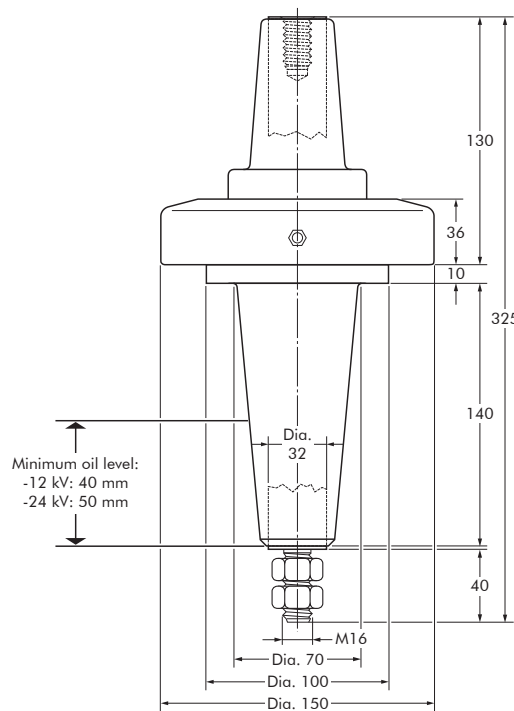
### SPECIFICATIONS AND STANDARDS

The bolted type equipment bushings 670AR-2 are moulded epoxy insulated parts and meet the requirements of CENELEC EN 50180 and IEC 60137.

### ORDERING INSTRUCTIONS

To order the equipment bushing, specify the type.

The bushings can be supplied with an earth jumper (/J) or an earth plate (/GS). This earth connection must be specified when ordering. E.g. K670AR-2/GS.



**6/10 (12) kV**  
**6,35/11 (12) kV**  
**8,7/15 (17,5) kV**  
**12/20 (24) kV**  
**12,7/22 (24) kV**

**Up to 24 kV - 1250 A**

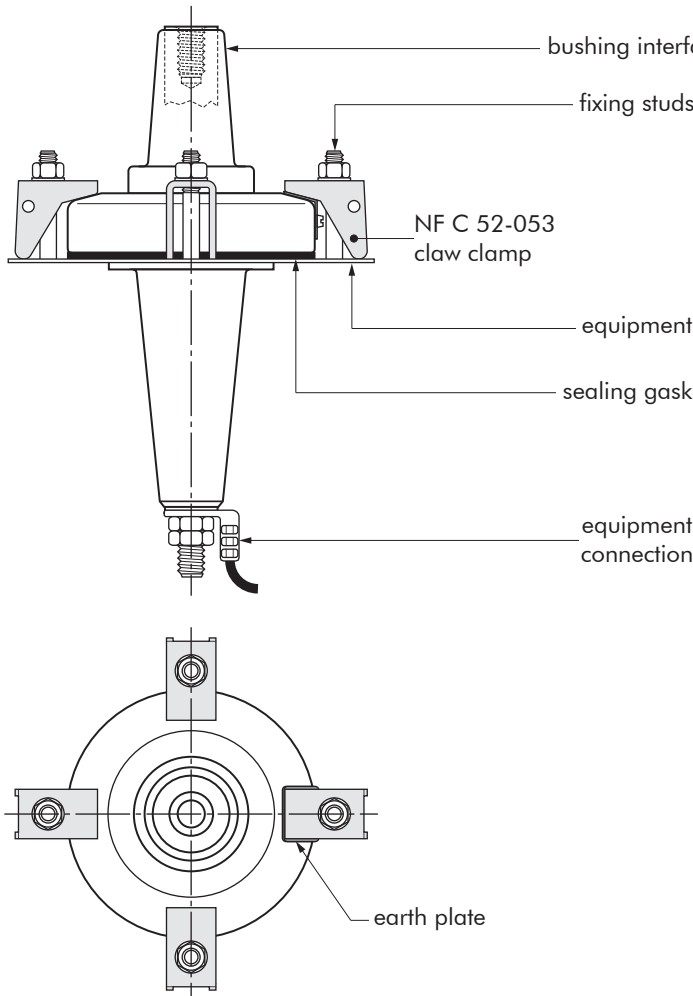
**EUROMOLD**

In mm.

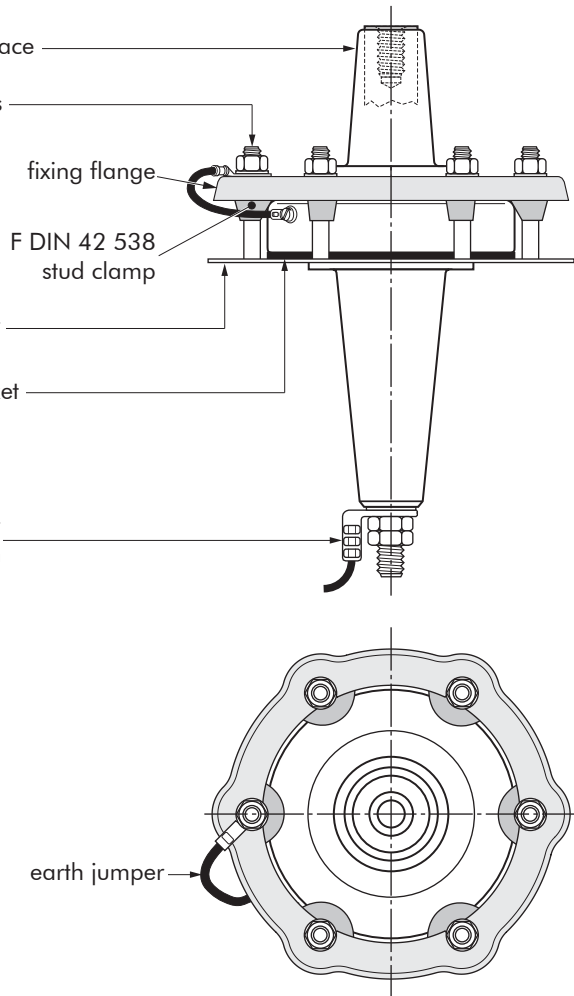
Equipment bushing type	Voltage $U_m$ (kV)	Current $I_r$ (A)
670AR-2	12	1250
K670AR-2	24	1250

# FIXINGS FOR EQUIPMENT BUSHINGS

## 670AR-2/GS BUSHING



## 670AR-2/J BUSHING



### BUSHING CLAMPING KIT

To order the bushing clamping kit, according to NFC 52-053 standards, simply specify: KBC - NFC 52-053 /400 SERIES.

Contents: - 4 x claw clamp NF  
- 1 x sealing gasket.

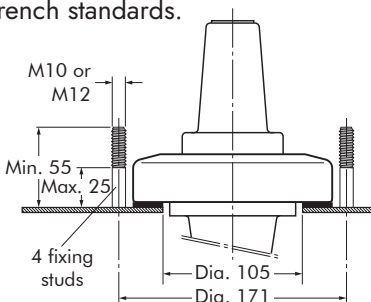
### BUSHING CLAMPING KIT

To order the bushing clamping kit with DIN style fixing flange, simply specify: KBC - RING CLAMP 3.

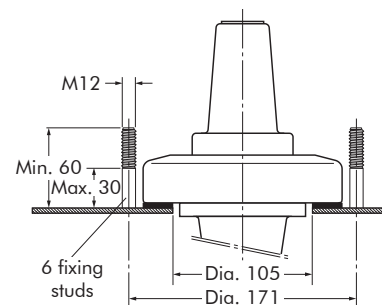
Contents: - 1 x fixing flange  
Ø150 mm  
- 6 x stud clamp  
F DIN 42 538  
- 1 x sealing gasket.

### FIXING DIMENSIONS STANDARDS NFC C 52-053

French standards.



### FIXING DIMENSIONS



In mm.

